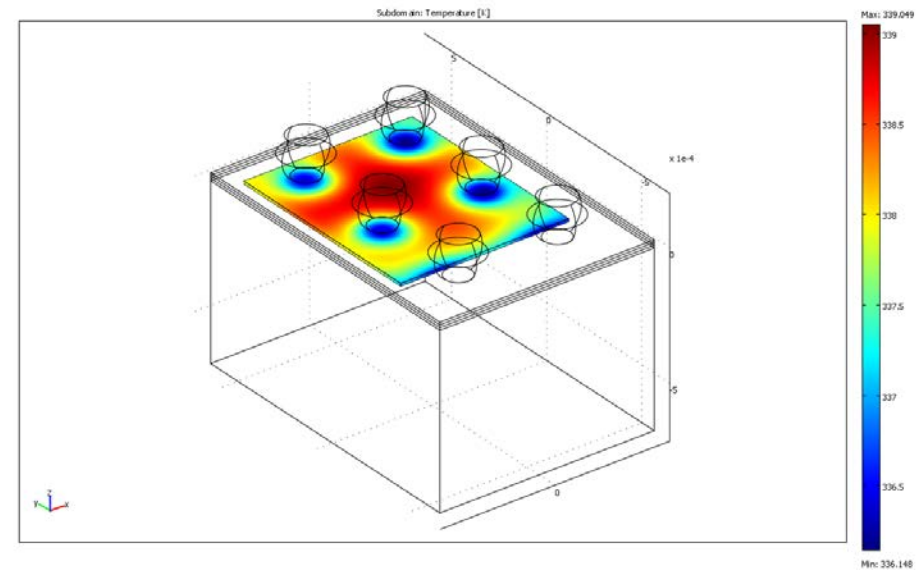
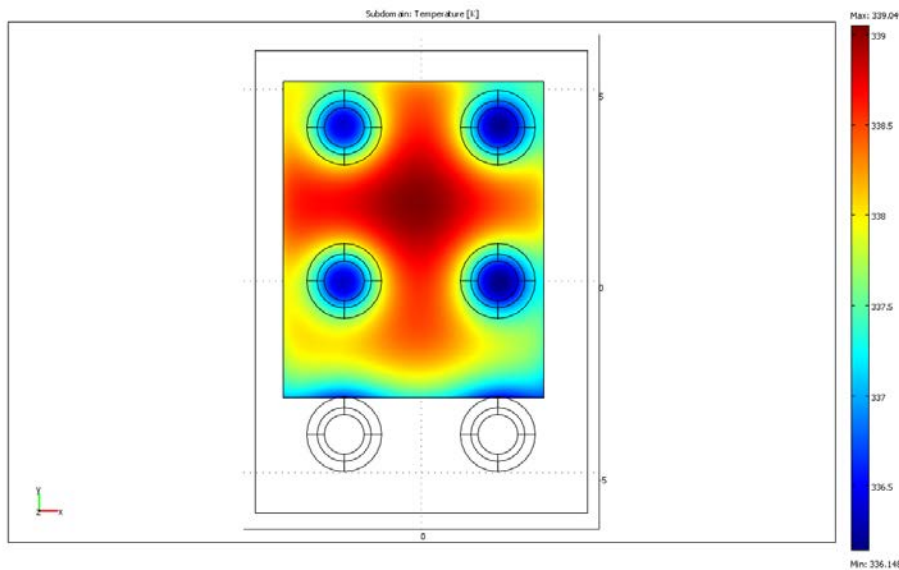


EPC21601 Thermal Model

$R_{\theta JB}$ & $R_{\theta JC}$

Steady State $R_{\Theta JB}$

$$R_{\Theta JB} = 39 \text{ }^{\circ}\text{C/W}$$

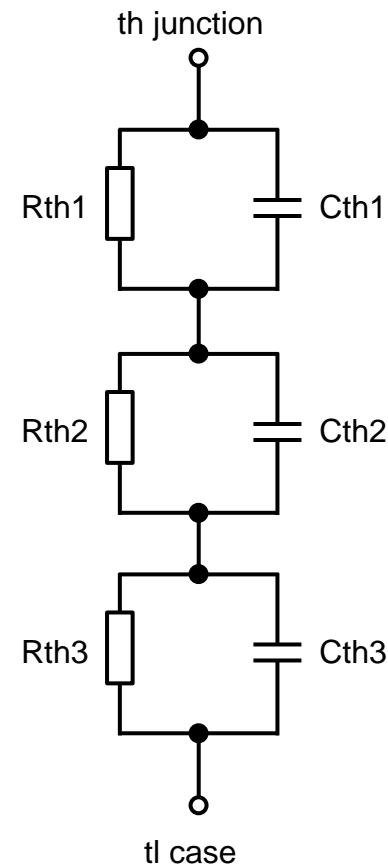


- 1 W dissipation in active volume
- Top of bumps at 300K

Transient $R_{\theta JB}$

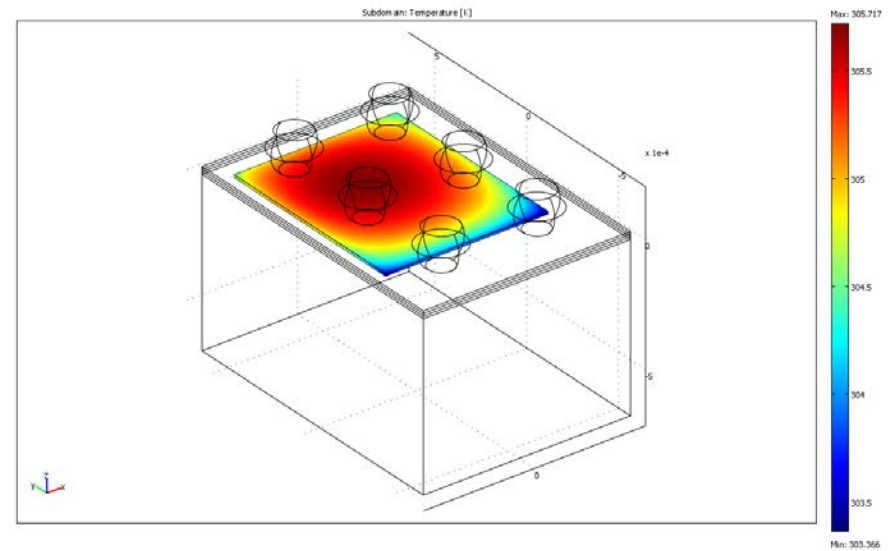
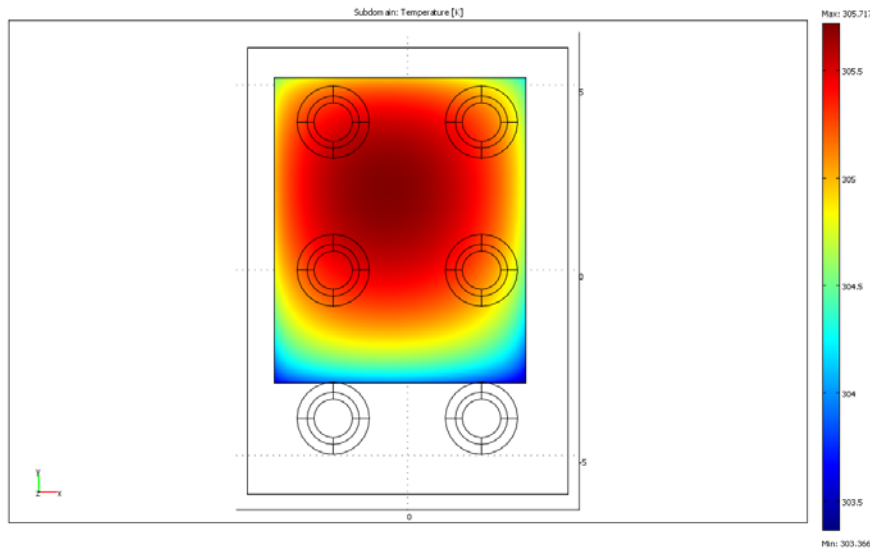
- 1 W total is dissipated in the device

Fitting parameter	Value	Unit
Rth1	36.7	° C/W
Rth2	1.9	
Rth3	3.78E-1	
Cth1	1.52E-3	J/° C
Cth2	3.54E-4	
Cth3	2.62E-4	



Steady State $R_{\theta JC}$

$$R_{\theta JC} = 5.7 \text{ } ^\circ\text{C/W}$$



- 1 W dissipation in active volume
- Top of bumps at 300K

Transient $R_{\theta JC}$

Transient junction temperature as a function of time under 1W load

Fitting parameter	Value	Unit
Rth1	3.99	° C/W
Rth2	1.6	
Rth3	1.08E-1	
Cth1	9.68E-4	J/° C
Cth2	1.98E-4	
Cth3	9.61E-4	

